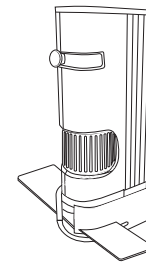


CARSON[®] MicroPic[™]

120x-240x Pocket Microscope

Congratulations on selecting your new pocket microscope! In order to achieve optimum performance, please follow instructions for proper use.



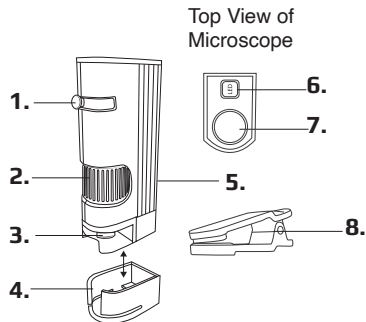
MP-400

PRODUCT SPECIFICATIONS

Magnification:	120x-240x	Weight:	0.16 (excluding battery)	Battery:	1 AA (not included)
Exit Pupil Diameter (low magnification):	0.6mm	Dimensions:	4.1" x 1.8" x 1.2"	Accessories:	Smartphone adapter clip and 1 blank slide with coverslip
Exit Pupil Diameter (high magnification):	0.3mm	Illumination:	LED - low and high setting		

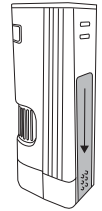
PRODUCT OVERVIEW

1. Zoom Dial
2. Focusing Wheel
3. Objective Lens
4. Removable Base Stand
5. Battery door (not shown)
6. LED Button
7. Eyepiece
8. Smartphone Adapter Clip



INSERTING BATTERY

Remove base stand and slide battery door down. Insert 1 AA battery (not included), following the polarity indicators marked inside the battery compartment. Replace battery door when finished.

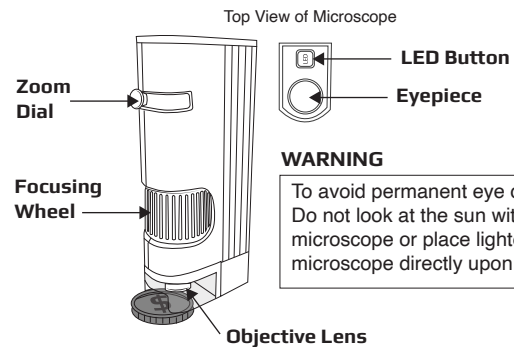


Battery Warning

Use only alkaline battery. Keep away from fire or excessive heat. Inspect battery for corrosion or leakage. Insert in direction indicated. Rechargeable battery not recommended.

USING MICROSCOPE

1. Remove base stand. Place viewing object directly below objective lens.
Note: Microscope must be placed flush to viewing object to work properly.
2. Press LED button once to turn light on low and twice for high. Pressing a third time will turn light off.
3. Look through eyepiece and rotate Focusing Wheel slowly until object is sharp and clear.
4. Adjust Zoom Dial to desired magnification and readjust Focusing Wheel as needed.
Note: For best clarity when zooming in, use highest brightness setting.

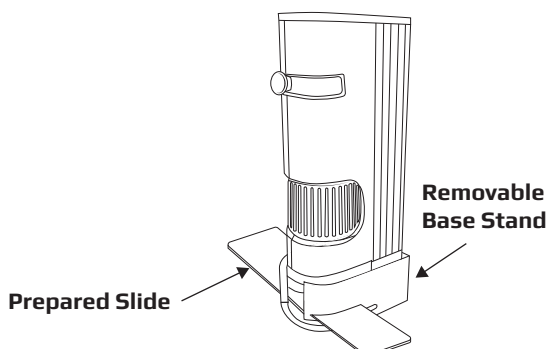


WARNING

To avoid permanent eye damage: Do not look at the sun with microscope or place lighted microscope directly upon human eye.

USING MICROSCOPE WITH BASE STAND

Place microscope into base stand and insert prepared slide in slot. Once positioned, follow steps 2-4 for "Using Microscope."



MAKING CUSTOM SLIDES

For Dry Specimens:

1. Clean slides with a microfiber cloth to remove fingerprints and dust.
2. Place a few dry granules of your choice (salt, soil, a strand of hair, etc.) on blank slide.
3. Using eye dropper (not included), put one drop of water on top of specimen to hold in place. Gently place coverslip on top of specimen and let dry before viewing.

Important: Empty and dry eye dropper after each use.

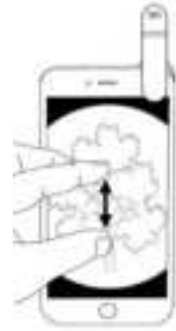
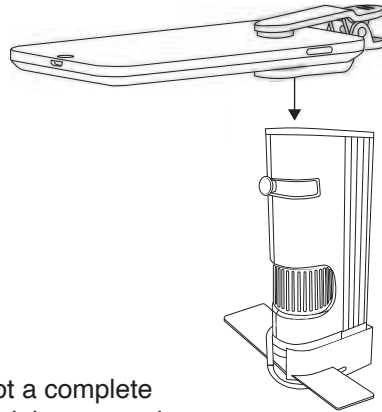
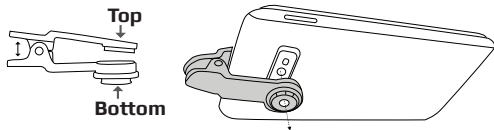
For Wet Specimens:

1. Clean slides with a microfiber cloth to remove fingerprints and dust.
2. Sprinkle a drop of algae, pond, or dirty water, etc. on blank slide. and place coverslip on top of specimen. No additional drop of water is needed. View immediately.

USING ADAPTER CLIP

Important: Before inserting smartphone into adapter clip, determine primary camera on phone. Typically, the primary is a 1x wide-angle camera and the other camera(s) are secondary. For latest instructions, and for selecting primary camera for iPhone 13 Pro and later, visit [carson.com/multicam](https://www.carson.com/multicam)

1. Squeeze to open smartphone adapter clip and slide phone camera side down between adapter arms.
2. Align primary camera lens and center within the circular space of adapter clip.
3. Attach bottom side of adapter clip to top of microscope. It will click into place.
4. Turn on camera and follow steps for "Using Microscope."
5. Pinch screen to enlarge image. Take photos and videos to share with family and friends.



Note: If viewing image is not centered or is not a complete round image, adjust adapter clip to make sure it is centered over camera.

Customer Service:

If you experience any difficulties, please contact us and we will be happy to help you.



✉ info@carson.com



✉ uksupport@carson.com



✉ eusupport@carson.com

For warranty information, visit www.carson.com/warranty

www.carson.com

Carson Optical 2070 5th Avenue, Ronkonkoma, NY 11779 | Tel: 631-963-5000